

GC15 Deep Dish Reverse Flap Paddle Latch

Features

- 'Reversed-flap' models offer a new solution to the problems involved with securing of top-hinged doors. Previously, the only options were to use a 'drop-T' deadbolt, or a 2-way 'paddle' system, the latter often creating difficulties with insulation material or structural members.
- Fully-flush and attractively finished, the new paddles have a wide, deep aperture to suit a gloved hand. The design also allows more "pull" than with normal paddle flaps, useful with doors that can 'stick' onto heavy gasketing.
- Reversed-flap can be fitted to any of our 'deep-dish' paddle designs, mild steel or stainless. A gasket is provided.

Material

- Stainless steel models: Stainless steel 304, polished
- Steel models: Mild steel, clear zinc plated (or black powder coated on request)

Notes

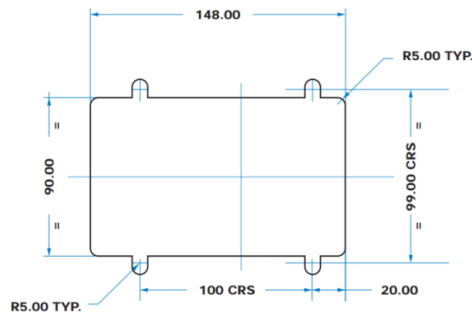
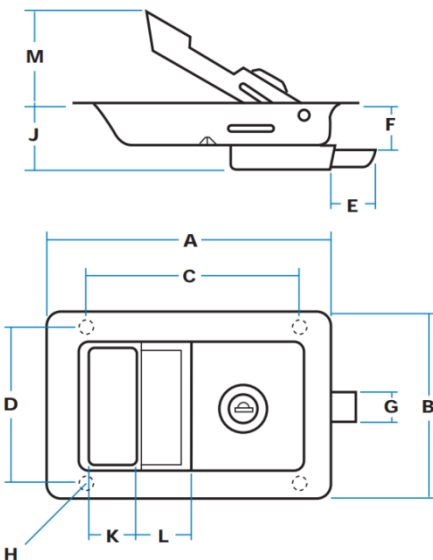
- Special options include:
 - Locking or non-locking
 - Slam-bolt or hook-latch operation
 - Pierced rim or plain rim, or welded studs for concealed fixing

Product Performance

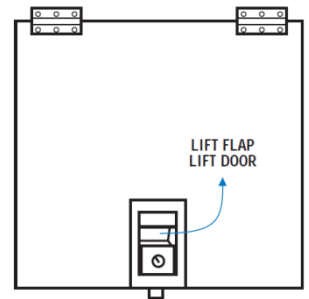
- Loading force: 2,450 N
- Endurance: 50,000 cycles



GC15-G02030/RF
(Model illustrated is in stainless steel with slam-bolt and concealed fixing studs with reversed-flap)



APPLICATION TO TOP HINGED DOORS



Paddle is mounted at bottom with slam-bolt or hook-latch engaging at edge of door. Paddle flap faces downwards, preventing accumulation of debris and providing easy, lifting action.

To order, add the suffix "-RF" to our regular part numbers. Some popular (locking) models are shown below:

Part No.	Type	Material	Rim	Locking	A	B	C	D	E	F	G	H	J	K	L	M
GC15-G02028-RF	Slam-Bolt	Stainless	Pierced	Yes	170	110	100	99	28	30	19	7	44	35	40	60
GC15-G02008-RF		Mild Steel														
GC15-G02022-RF	Hook-Latch	Stainless														
GC15-G02002-RF		Mild Steel														